

SEAVIEW SEAT



With its robust mild steel hot-dip galvanised frame and a choice of either vitex or tonka 65mm x 65mm timber slats that will withstand the elements and stay looking good for years to come, the Seaview Seat is made to last.

The Seaview Seat is normally installed in-ground, but is available for surface mounting if required. It has an overall length of 1880mm and is ideal for urban areas, parks and reserves. It comes with an oil stain applied to the hardwood slats.



Seaview Seat in a Lower Hutt park, with a Paramount Tilt Bin in the background

SEAVIEW SEAT



Metal Art Limited
Street & Park Furniture

DESCRIPTION

A long-lasting park and street seat that uses high quality hardwood slats on a heavy-duty galvanised steel support frame.

DIMENSIONS

Slat section 65 x 65 mm
Length 1880 mm
Seat width 400 mm

SLAT MATERIAL

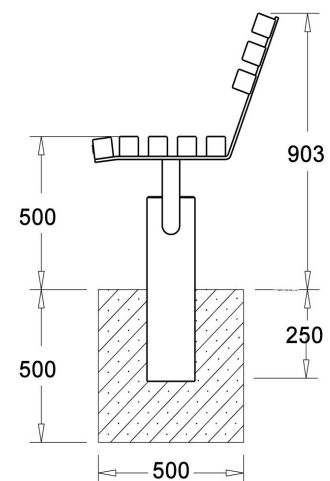
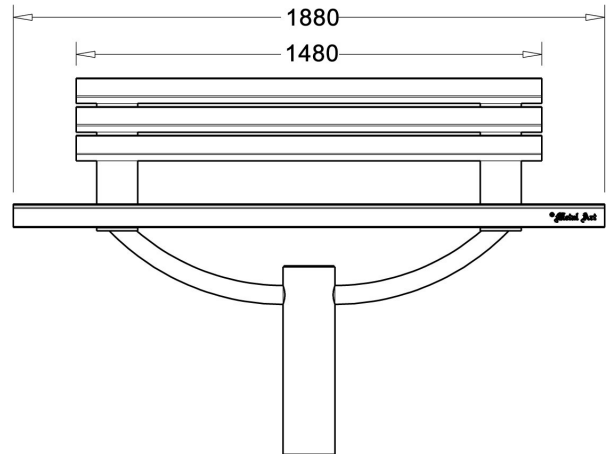
- Vitex hardwood
- Tonka hardwood

FINISH

Oil stained

MOUNTING

- In-ground
- Surface mounted



Metal Art Ltd

51 Port Road, Seaview
Wellington, New Zealand
Ph +64 4 939 6666
Fax +64 4 939 6696
info@metalart.co.nz
www.metalart.co.nz