

BEACHCOMBER SEAT RECYCLED PLASTIC



Metal Art Limited
Street & Park Furniture



Beachcomber Seats



The Beachcomber Seat by Replas was originally conceived to project a beachside theme. Now, with all the design possibilities of the recycled plastic boards used in making the product, customised versions of this functional piece of outdoor furniture can be seen in many locations. Wherever there's a Beachcomber Seat installed, there's a topic of conversation at hand.

Particularly suitable for situations where high maintenance is an issue due to environmental conditions, the recycled plastic Beachcomber is a winner all round. It will not deteriorate in marine conditions, and never needs painting.



Beachcomber Seat at Nelson Lakes National Park



Metal Art Ltd

51 Port Road, Seaview
Wellington, New Zealand
Ph +64 4 939-6666
Fax +64 4 939-6696
info@metalart.co.nz
www.metalart.co.nz



BEACHCOMBER SEAT RECYCLED PLASTIC



Metal Art Limited
Street & Park Furniture

DESCRIPTION

The Beachcomber Seat is available with standard 'surfboard' shaped planks, or more commonly with some artwork and customisation to suit the purpose and/or location. Create your own design or use our in-house service to produce a unique piece of recycled plastic furniture.

LENGTH

1800 mm

SLAT COLOUR

- Green
- Grey
- Blue
- Brown

SUPPORT COLOUR

Black

MOUNTING

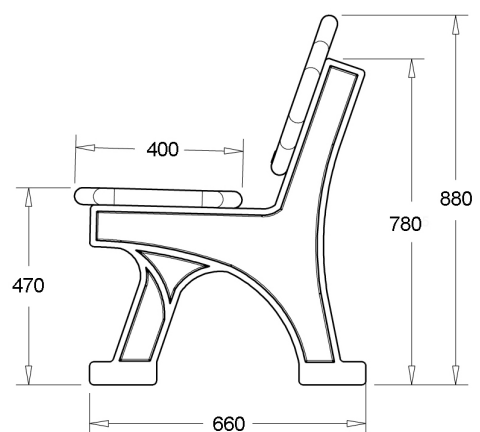
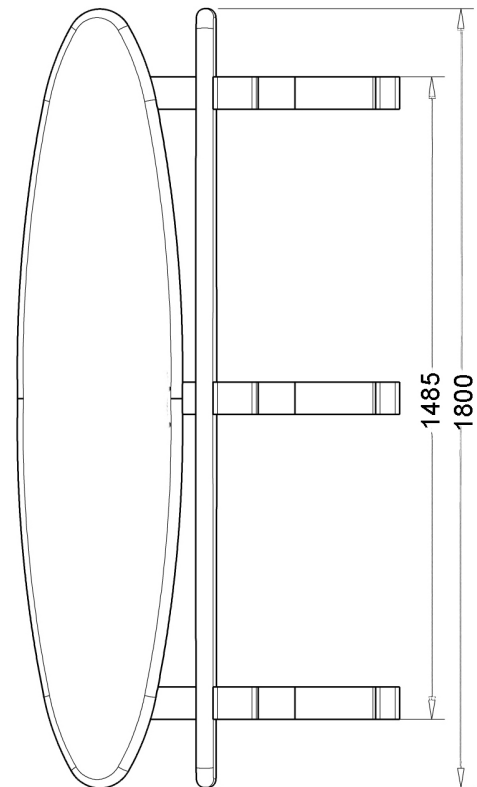
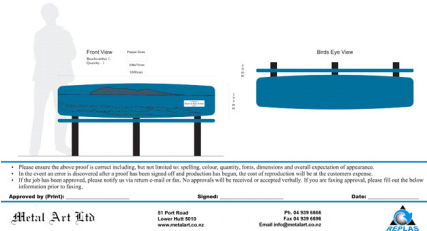
Surface fixed

DESIGN SERVICE

Available on request

Beachcomber Seat

Artwork Proof Document



Metal Art Ltd

51 Port Road, Seaview
Wellington, New Zealand
Ph +64 4 939-6666
Fax +64 4 939-6696
info@metalart.co.nz
www.metalart.co.nz

