

LONGMARCH SEAT



The Longmarch Seat is a low-cost park seating option for councils and other organisations with casual open space furniture needs.

Simple in design yet robust and practical in application, the Longmarch Seat comprises Vitex slats on a 50mm galvanised pipe frame that is fixed in-ground.

Timber finishing options are available and the steelwork can be powder coated to your colour of choice.



Newly-installed Longmarch Seats in Miramar, Wellington

LONGMARCH SEAT



Metal Art Limited
Street & Park Furniture

DESCRIPTION

An economically priced casual park seat that meets the needs of councils and other organisations requiring simple and practical open space furniture.

SLAT DIMENSIONS

Back: 140 mm x 40 mm x 1750 mm
Seat: 90 mm x 40 mm x 1750 mm

SLAT MATERIAL

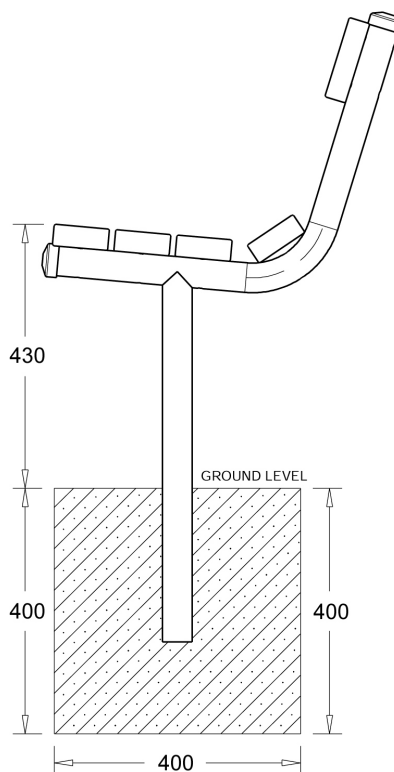
Vitex timber: available with an uncoated natural or stained finish.

FRAME

50 mm galvanised steel pipe

MOUNTING

In-ground or surface mounted



Metal Art Ltd

51 Port Road, Seaview
Wellington, New Zealand
Ph +64 4 939-6666
Fax +64 4 9396696
info@metalart.co.nz
www.metalart.co.nz