

# AVALON SETTING



**Metal Art Limited**  
Street & Park Furniture



Durable, low maintenance Replas recycled plastic slats are the feature of the practical and economic Avalon table setting. Ideal for picnic areas in high-use public parks.

Colours available in plastic are green, blue, brown and grey, with timber slats available if required. The galvanised steel support frame can be powder coated to any standard colour to suitably match or contrast with the slat finish. The Avalon setting can be supplied for in-ground or surface mounted installation.



Avalon Setting, Petone



**Metal Art Ltd**

51 Port Road, Seaview  
Wellington, New Zealand  
Ph +64 4 939-6666  
Fax +64 4 939-6696  
info@metalart.co.nz  
www.metalart.co.nz

# AVALON SETTING



Metal Art Limited  
Street & Park Furniture

## DESCRIPTION

A 4 slat table combined with two x 3 slat bench seats to create a functional picnic setting.

The Avalon uses durable recycled plastic slats as standard, on a robust galvanised support frame available powder coated in any standard colour. Optional fixing method.

## SLAT DIMENSIONS/SEAT LENGTH

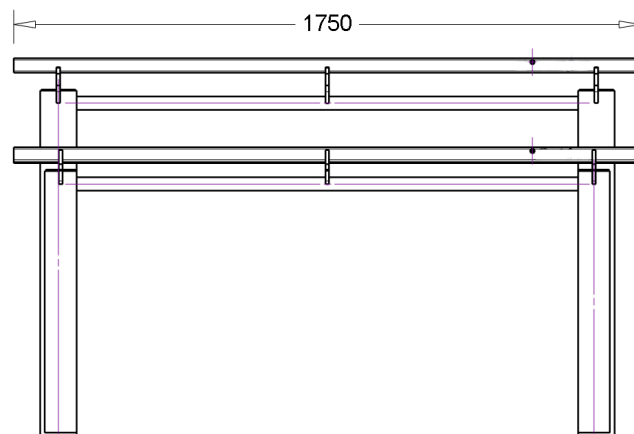
Seat slat section: 90 x 40mm  
Table slat section: 200 x 40mm  
Length: 1750mm

## SLAT MATERIAL

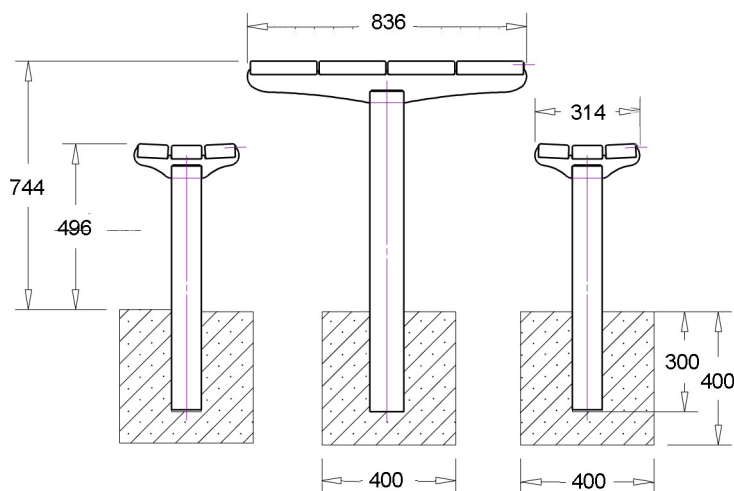
- Timber oiled  
(Eucalyptus Saligna)
- Timber mahogany stained  
(Eucalyptus Saligna)
- 100% recycled plastic
  - Green
  - Grey
  - Brown
  - Blue

## MOUNTING

- Surface fixed
- In ground fixed



Side view, in ground fixed



End view, in ground fixed



Metal Art Ltd

51 Port Road, Seaview  
Wellington, New Zealand  
Ph +64 4 939-6666  
Fax +64 4 939-6696  
info@metalart.co.nz  
www.metalart.co.nz